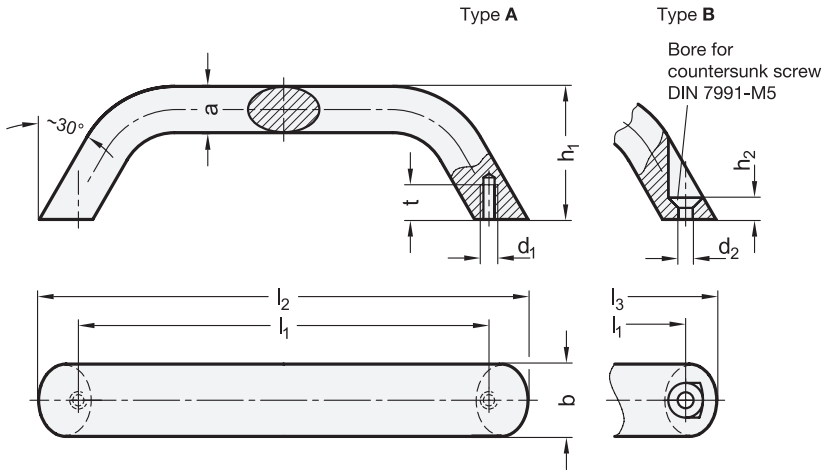


1.1
1.2
1.3
1.4
2.1
2.2
2.3
2.4



3 Type

- A** Mounting from the back (threaded blind bore)
- B** Mounting from the operator's side

1 b	2 l ₁ ±0,25	l ₂ Type A	l ₃ ≈ Type B	a	d ₁	d ₂	h ₁	h ₂	r	t min.
20	120	142	137	13	M 5	5,3	41	5	13	10
20	160	182	177	13	M 5	5,3	45	5	13	10

Specification

Aluminum

- Powder coated
 - Black, RAL 9005, textured finish
 - Silver, RAL 9006, textured finish
- Anodized, natural color
- Plain finish, tumbled

- **SW**
- **SR**
- **EL**
- **BL**

RoHS

Cabinet U-handles GN 565.3 are manufactured from a bent aluminum profile. They are suitable for applications where lower lifting forces are required such as on lids or protective machine covers. The countersunk holes of type B allow fixing with self tapping screws or countersunk rivets.

see also...

GN 728 Cabinet U-Handles (Aluminum)

Page
QVX

Technical Information

Load Rating Information

QVX

How to order

1	b
2	l ₁
3	Type
4	Finish

GN 565.3-20-120-B-SW