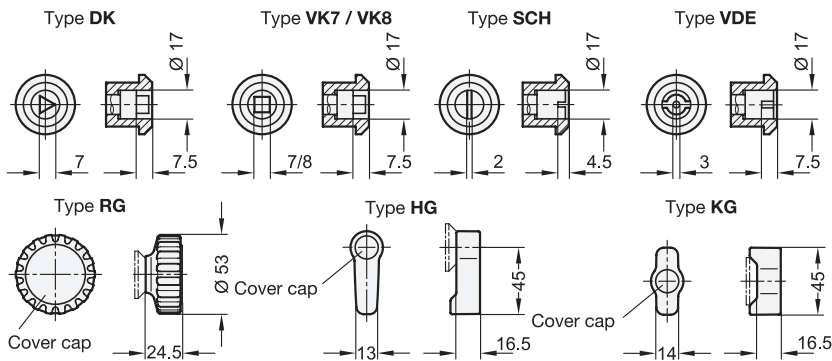


**1 Type**

- DK** With triangular spindle
- VK7** With square spindle
- VK8** With square spindle
- SCH** With slot
- VDE** With double bit
- RG** With knurled knob GN 7336
- KG** With wing knob
- HG** With lever



**2**

Latch arm distance **A** in retaining position (clamping position)

17	19	21	23	26	27	29	31	33	35	37	39	41	43	45	47	49	51	53	55	58	63
----	----	----	----	----	----	----	----	----	----	----	----	----	----	----	----	----	----	----	----	----	----

**Specification**

- Lock housing / Locking mechanism  
Zinc die casting
- Housing collar  
Powder coated  
Black, RAL 9005, textured finish
- Latch arm  
Steel, zinc plated, blue passivated
- Operating elements (Type RG / KG / HG)
  - Plastic (Polyamide PA)  
Black, matte finish
  - Cover cap plastic  
Light gray, matte finish
- Protection class IP 65
- IP Protection Classes → Page 2153
- Plastic Characteristics → Page 2158
- RoHS

**Accessory**

- Socket Keys GN 119.2 → Page 1266
- Protective Caps GN 120 → Page 1269
- Opening Handles GN 120.1 → Page 1270

**Information**

The rotary clamping latches GN 516 have a closing mechanism which transfers the rotary movement of the operating element resp. socket key into a 90° turn and then into a 6 mm linear stroke of the latch arm.

This mechanism is designed to form a tight and vibration-proof latch in the end position (retaining position) in connection with an elastic element, such as a door or casing seal.

Latch arms with different bend angles cover a latch arm distance A (retaining range) from 17 to 63 mm. If the measured retaining position lies between two latch arm distances A, the next smaller value must be selected.

The rotary clamping latches GN 516 are supplied with loosely enclosed latch arm.

see also...

- List of Latch Types → Page 1196 ff.
- Rotary Clamping Latches GN 516.1 → Page 1235
- Rotary Clamping Latches GN 516.5 (Stainless Steel) → Page 1234

**How to order**

**GN 516-RG-26**

- |          |                      |
|----------|----------------------|
| <b>1</b> | Type                 |
| <b>2</b> | Latch arm distance A |